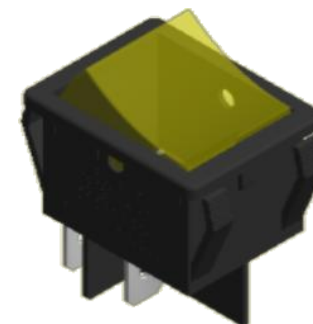
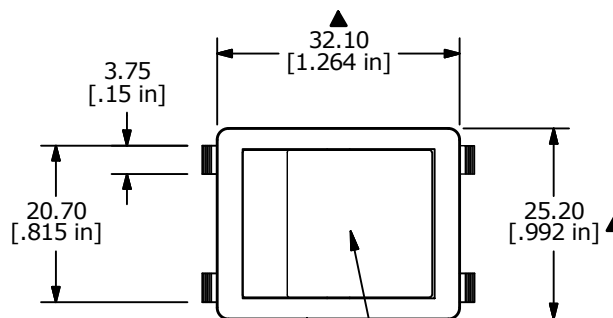


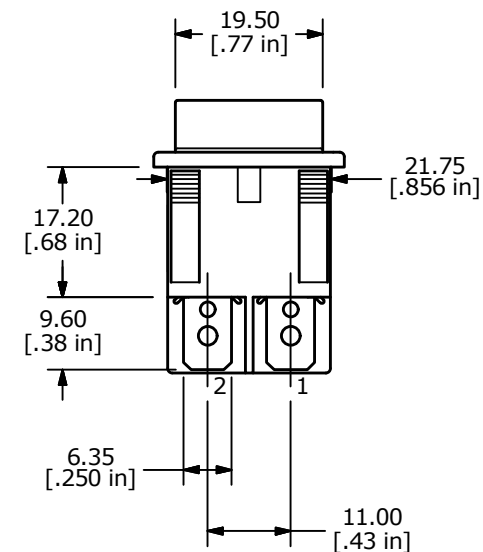
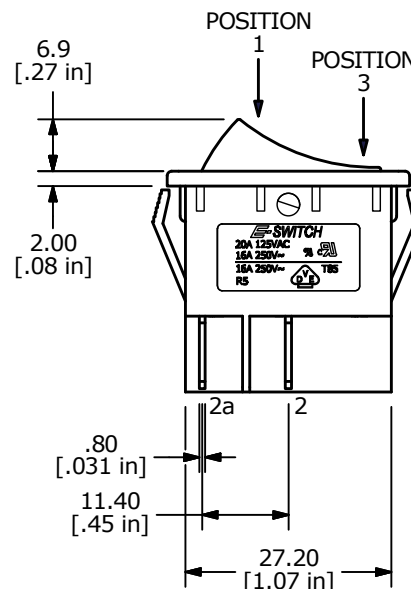
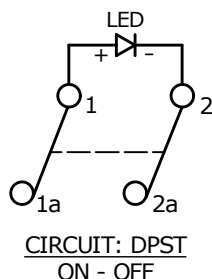
RECOMMENDED PANEL MOUNTING

PANEL THICKNESS	X
0.75-1.25mm	30.0-30.2mm
1.25-2.00mm	30.2-30.4mm
2.00-3.00mm	30.6-30.8mm



▲ HOUSING COLOR: BLACK  
▲ ILLUMINATED ROCKER COLOR: YELLOW

SWITCH FUNCTION		
POS. 1	POS. 2	POS. 3
OFF	NONE	ON
OPEN	N/A	1-1a, 2-2a



NOTES:

- ALL DIMENSIONS IN MM [INCH]
- GENERAL TOLERANCE: X.X = ±0.4  
X.XX = ±0.25
- TERM. NUMBERS FOR REF. ONLY
- RATING: 20A @ 125VAC 3/4HP UL APPROVED  
16A @ 250VAC 1HP UL APPROVED  
16A @ 250VAC 1HP VDE APPROVED
- ELECTRICAL LIFE: 10,000 CYCLES
- MECHANICAL LIFE: 30,000 CYCLES
- CONTACT RESISTANCE: <20 MILLI-OHMS INITIAL
- DIELECTRIC STRENGTH: >1,500V AC 1MIN
- INSULATION RESISTANCE: >1000MOHMS
- OPERATING TEMP: TERMINAL SIDE: -20°C to 85°C  
ROCKER SIDE: -20°C to 55°C
- LAMP: LED 12VDC
- ▲ DENOTES CRITICAL PARAMETER.

D	24187	update print, Incandescent to LED	3/6/2020	MW
C	20142	ADD HP RATING	08/31/11	BMA
B	19771	UPDATE / CONVERT TO INVENTOR	03/18/11	BMA
REV	PCR NO	DESCRIPTION	DATE	BY



TITLE R5BBLKYELEF3				
SCALE 1:1	DATE 3/21/2011	DR BMA	DWG M050229	REV D